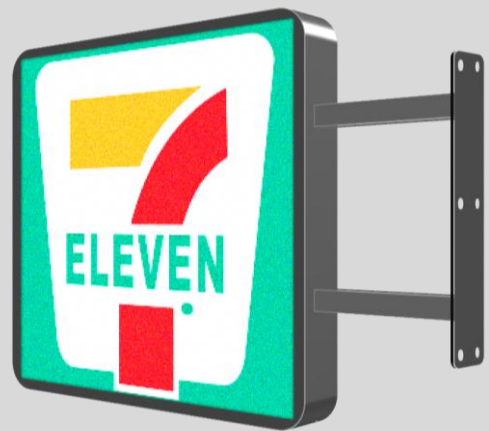


SIGNBOARD LED DISPLAY

A Cell-phone Controlled SIGNBOARD



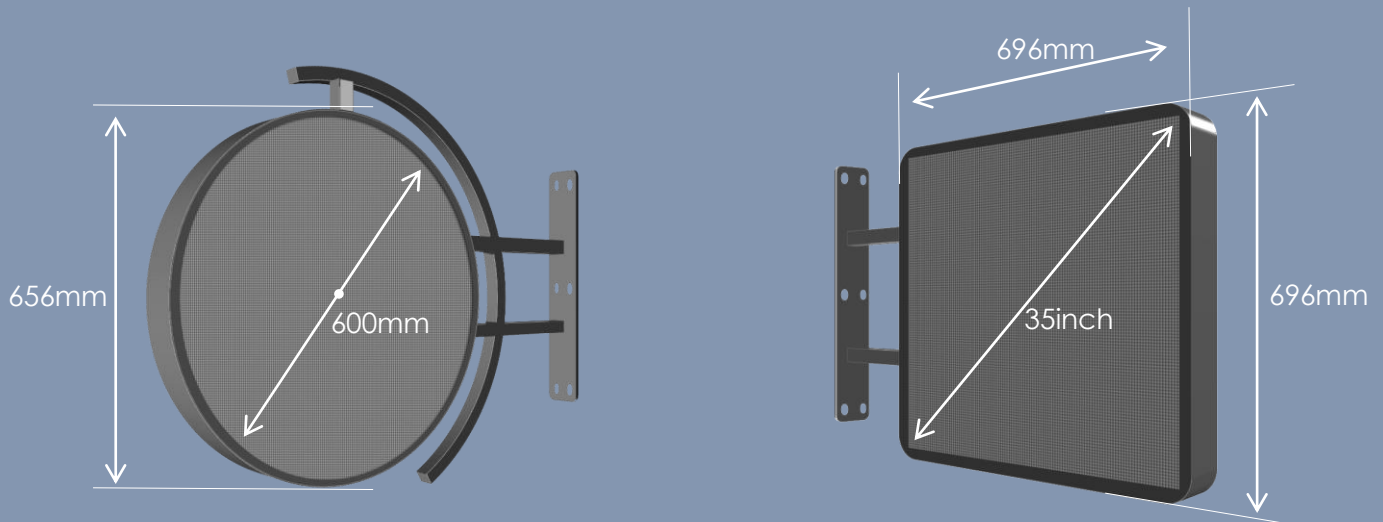
DM-SDR60046



DM-SDQ3540

- Aluminum framework, light weight and thin body
- Outdoor 4~5mm pixel pitch, high brightness, nice performance
 - Blind holes on side enable it free style installation
 - Any VI decoration frame is attachable
 - WIFI spot share, wireless connect by cell-phone
- Smart APP on phone enables easy content edit & upload





	Model	DM-SDR60046(ROUND)	DM-SDQ3540(SQUARE)
Physical Parameter	Pixelpitch	4.68mm	4mm
	LED Model	SMD1921	SMD1921
	Module Size	300mm Radius, 90° Sector	320 x 160mm (W x H)
	Module Resolution	3217pixels	80 x 40 pixels (W x H)
	Display Size	600 mm Diameter Round	640 x 640mm(W x H)
	Full Size	656 mm Diameter Round	696 x 696mm(W x H)
	Display Resolution	12868pixles	160 x 160pixels(W x H)
	Net Weight(kg)	7.6kg(1 side), 18kg(2 sides)	13kg(1 side), 24kg(2 sides)
	Frame Material	Aluminum Profile	Aluminum Profile
Photoelectric Parameter	Brightness(nit)	5000nits	5000nits
	Refresh(Hz)	≥1920Hz	≥1920Hz
	Grayscale(bit)	16bit	16bit
	Drive Type	1/8 Scan	1/8 Scan
	Viewing Angle	H>160°, V>160°	H>160°, V>160°
Electrical Parameter	Power Input	AC100V~AC240V	AC100V~AC240V
	Max Power(W/set)	320W	640W
	Aver. Power(W/set)	150W	300W
Install& Maintenance	Maintenance	Front/Rear	Front/Rear
	Protection Grade	IP65	IP65
	Installation Way	Side Against / Mount / Hoist	Side Against / Mount / Hoist
Operation& Control	Control System	DM	DM
	Control Type	Asynchronous	Asynchronous
	Communication	WIFI Hot Spot	WIFI Hot Spot
	Software	Smart Display APP	Smart Display APP
	Operation Terminal	Cellphone	Cellphone